

Name:

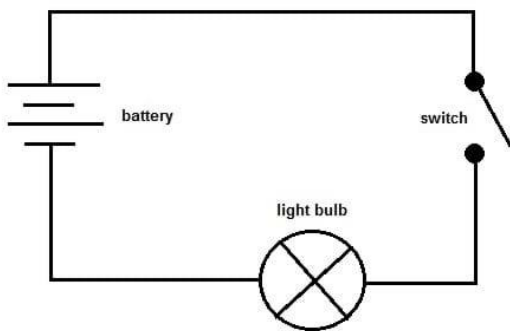
Group Members: Junyu Xu, Person 2, Person 3, Person 4

AP Physics I
Lab – Circuit Practice

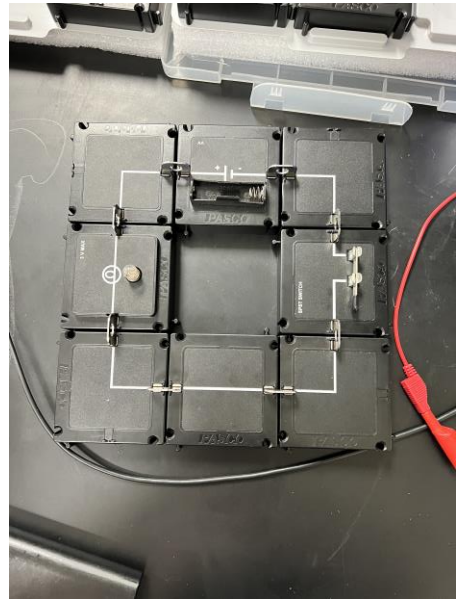
Please familiarize yourself with the equipment by making the following circuits and taking pictures. You will also need to open the Capstone software to utilize the sensors when indicated.

The questions asked as some of the circuits do not have to be answered for this lab, but you should still try them to see what happens in the scenarios.

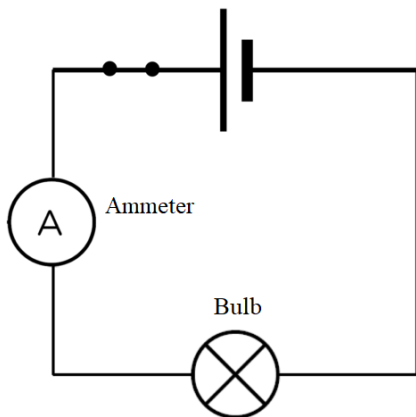
1



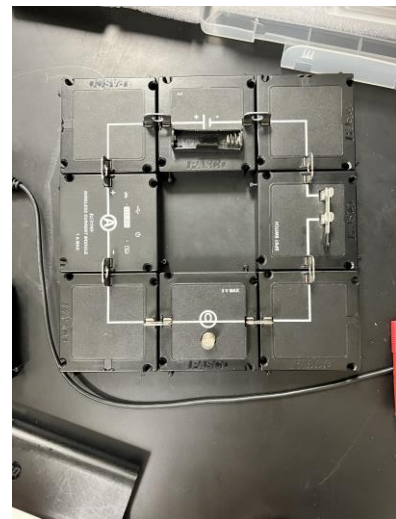
What happens when you toggle the switch?
The light turns on or off.



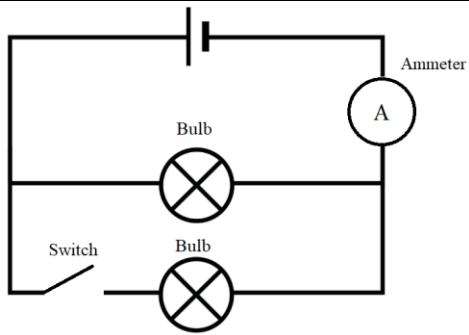
2



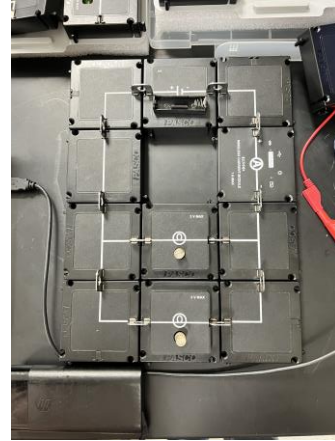
What is the ammeter recording?
The ammeter records the current (in amperes).



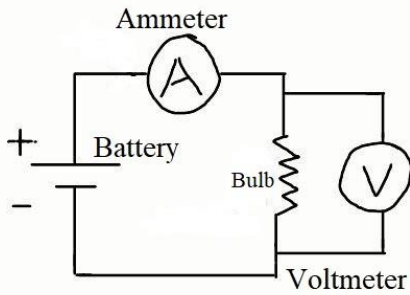
3



What happens when you toggle the switch?
When we toggle the switch, the bulb in the inner circuit stays on, but the other one goes out.



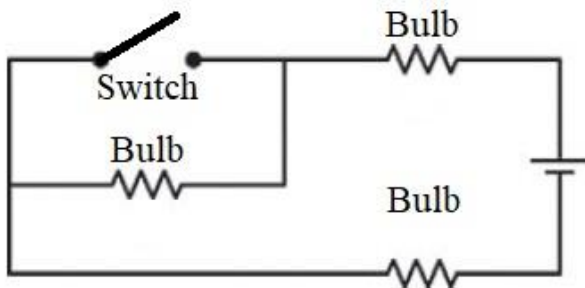
4



What is the voltmeter recording?
The voltmeter records voltage (electric potential) at that point in the circuit.



5



What happens when you toggle the switch?
When I toggle the switch the lightbulb in the inner circuit no longer lights up.

